



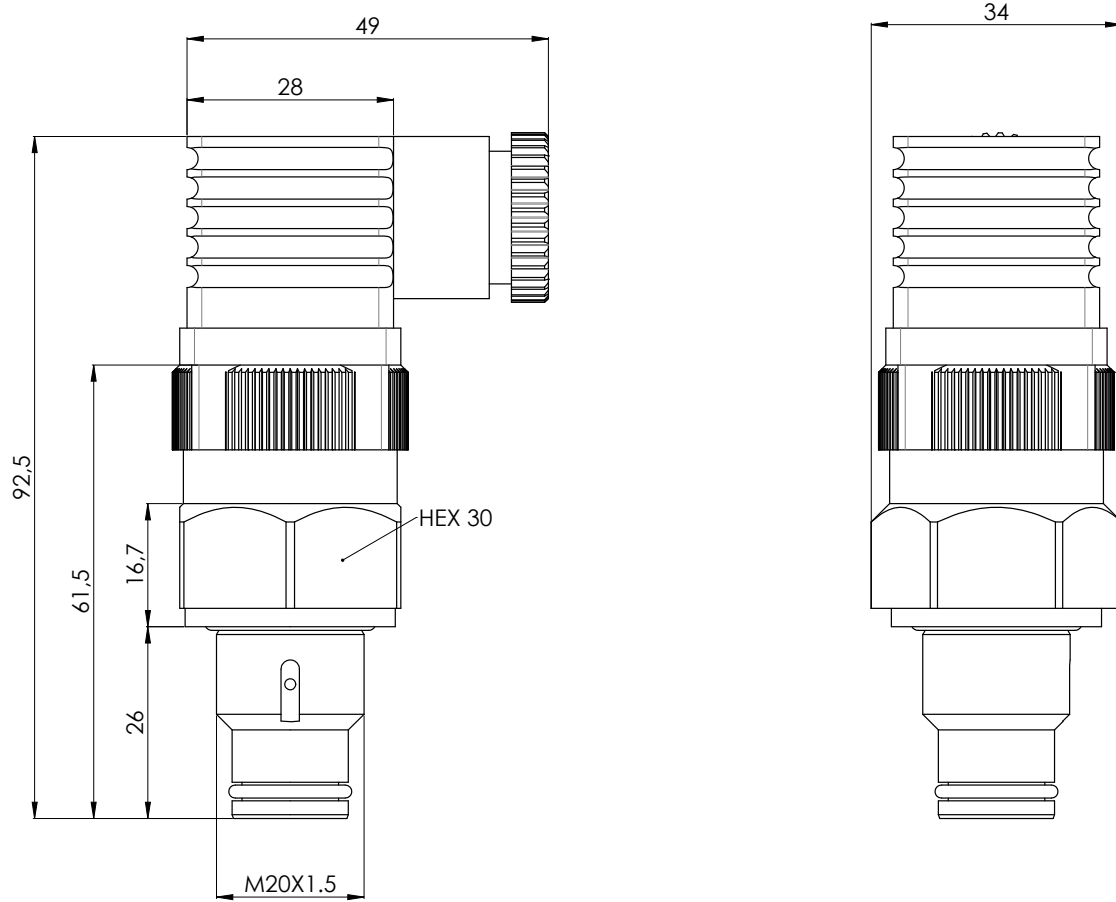
## E SERIES

Electrical differential clogging indicators



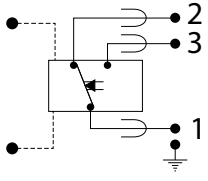
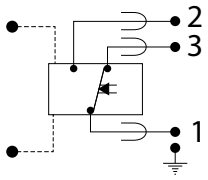
PRESSURE:	Max operating up to 420 bar
CONNECTION:	M20x1,5
MATERIALS:	Body: Brass Cover and connector: PA66 + G.F. Seal: NBR standard FKM on request
SETTINGS $\Delta P$ :	1,3 bar $\pm$ 10% 2,7 bar $\pm$ 10% 5,0 bar $\pm$ 10% 8,0 bar $\pm$ 10%
ELECTRICAL SPECS.:	Contact configuration SPDT
CONNECTOR TYPE:	according to DIN 43650 with cable gland PG09/PG11
DEGREE OF PROTECTION:	IP65 according to EN60529
OPERATING TEMPERATURE:	-30°C - +80°C
FLUID COMPATIBILITY:	Full with HH-HL-HM-HV-HETG-HEES-HFA HFB-HFC (acc. to ISO 6743/4). For use with other fluid please contact Filtrtec Customer Service (info@filtrtec.it).

## OVERALL DIMENSIONS

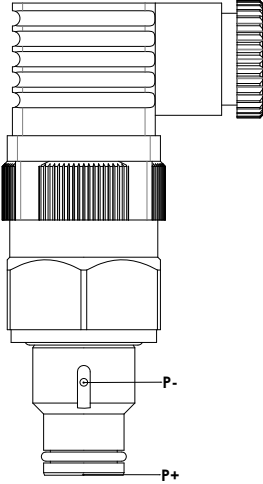



Weight: 173,6 gr

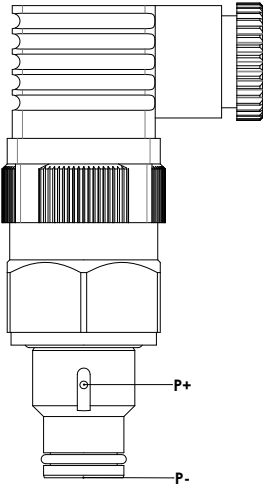
## MECHANICAL CONDITION


ΔP CONDITION	ELECTRIC SYMBOL
$P+ - P- < \Delta P_{set}$	
$P+ - P- \geq \Delta P_{set}$	

## ORDERING INFORMATION / DETAILS

ORDER CODE	MODEL	SEALS	VIEW	SETTING	ELECTRICAL SPECS.
04.006.00129 04.006.00130	<b>E02</b> <b>EF2</b>	<b>NBR</b> <b>FKM</b>		2,7 bar	<ul style="list-style-type: none"> <li>• Connector DIN 43650</li> <li>• Max AC voltage: 250Vac</li> <li>• Max current: 5A resistive 1A inductive</li> <li>• Max DC voltage: 30Vdc</li> <li>• Max current: 4A resistive 3A inductive</li> <li>• Protection: IP65 EN60529</li> </ul>
04.006.00131 04.006.00132	<b>E05</b> <b>EF5</b>	<b>NBR</b> <b>FKM</b>		5,0 bar	
04.006.00136 04.006.00137	<b>E08</b> <b>EF8</b>	<b>NBR</b> <b>FKM</b>		8,0 bar	

 50 / 90 Nm - See hydraulic filter catalogues

ORDER CODE	MODEL	SEALS	VIEW	SETTING	ELECTRICAL SPECS.
04.006.00664 04.006.00665	<b>EX1</b> <b>EY1</b>	<b>NBR</b> <b>FKM</b>		1,3 bar	<ul style="list-style-type: none"> <li>• Connector DIN 43650</li> <li>• Max AC voltage: 250Vac</li> <li>• Max current: 5A resistive 1A inductive</li> <li>• Max DC voltage: 30Vdc</li> <li>• Max current: 4A resistive 3A inductive</li> <li>• Protection: IP65 EN60529</li> </ul>
04.006.00520 04.006.00521	<b>EX2</b> <b>EY2</b>	<b>NBR</b> <b>FKM</b>		2,7 bar	
04.006.00133 04.006.00134	<b>EX5</b> <b>EY5</b>	<b>NBR</b> <b>FKM</b>		5,0 bar	
04.006.00138 04.006.00139	<b>EX8</b> <b>EY8</b>	<b>NBR</b> <b>FKM</b>		8,0 bar	

 50 / 90 Nm - See hydraulic filter catalogues

## OPTIONAL VERSION

The LC24 connector, supplied separately, can replace the standard black connector of the "E" indicator. Powered with 24Vdc, it gives a visual indication of the filter element conditions: normally the GREEN LED is on, the RED LED switch on when the element is clogged.

ORDER CODE	MODEL	VIEW	ELECTRICAL SPECS.
04.006.00146	LC24		

## INSTRUCTIONS FOR REPLACING THE std CONNECTOR WITH THE LC24 CONNECTOR

1. UNSCREW THE SCREW



2. DISCONNECT THE STANDARD CONNECTOR



3. ATTACH THE LC24 CONNECTOR



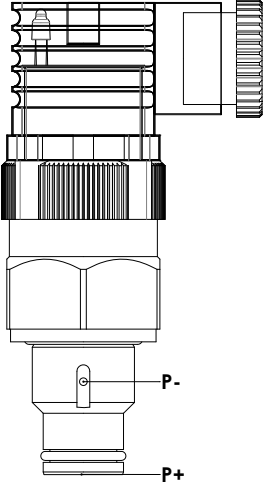

4. TIGHTEN THE SCREW

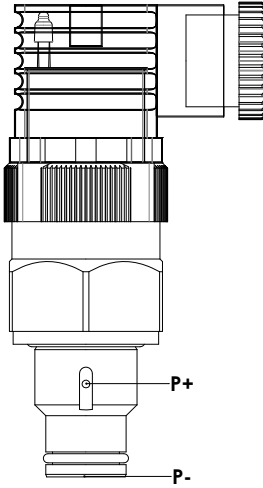



## VERSION WITH INTEGRATED LED CONNECTOR

Subject to **MOQ** our differential indicators type E... can be supplied in special versions with **INTEGRATED LC24 connector**.

### ORDERING INFORMATION / DETAILS

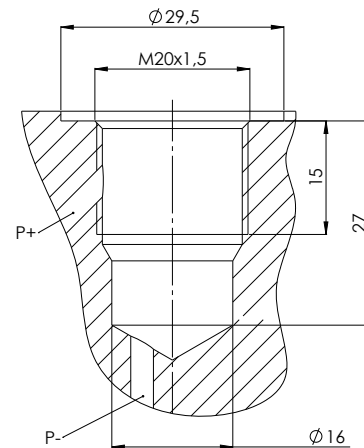
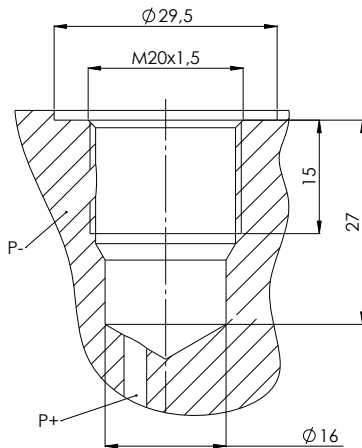
ORDER CODE	MODEL	SEALS	VIEW	SETTING	ELECTRICAL SPECS.
04.006.00522 04.006.00523	<b>E02L</b> <b>EF2L</b>	<b>NBR</b> <b>FKM</b>		2,7 bar	<ul style="list-style-type: none"> <li>• Connector DIN 43650</li> <li>• Max DC voltage: 24Vdc</li> <li>• Max current: 4A resistive 3A inductive</li> <li>• Protection: IP65 EN60529</li> </ul>
04.006.00169 04.006.00524	<b>E05L</b> <b>EF5L</b>	<b>NBR</b> <b>FKM</b>		5,0 bar	
04.006.00177 04.006.00525	<b>E08L</b> <b>EF8L</b>	<b>NBR</b> <b>FKM</b>		8,0 bar	
 50 / 90 Nm - See hydraulic filter catalogues					

ORDER CODE	MODEL	SEALS	VIEW	SETTING	ELECTRICAL SPECS.
04.006.00526 04.006.00527	<b>EX2L</b> <b>EY2L</b>	<b>NBR</b> <b>FKM</b>		2,7 bar	<ul style="list-style-type: none"> <li>• Connector DIN 43650</li> <li>• Max DC voltage: 24Vdc</li> <li>• Max current: 4A resistive 3A inductive</li> <li>• Protection: IP65 EN60529</li> </ul>
04.006.00528 04.006.00529	<b>EX5L</b> <b>EY5L</b>	<b>NBR</b> <b>FKM</b>		5,0 bar	
04.006.00530 04.006.00531	<b>EX8L</b> <b>EY8L</b>	<b>NBR</b> <b>FKM</b>		8,0 bar	
 50 / 90 Nm - See hydraulic filter catalogues					

## INDICATOR SEAT

E0.../EF.../E0...L/EF...L

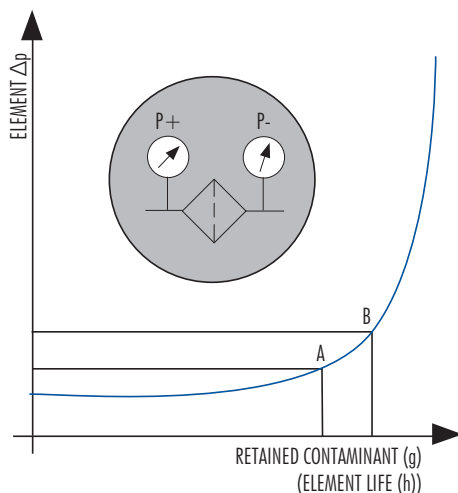
EX.../EY.../EX...L/EY...L



Dimensions and tolerances available on request

## USER INFORMATION

The Differential indicator measures the  $\Delta p$  between upstream and downstream of the filter element, i.e. it is the ideal indicator for the in line applications.



The **Pressure Drop** ( $\Delta p$  = differential pressure) through the filter increases during the system operation due to the contaminant retained by the filter element.

The filter element must be replaced when the indicator shows an alarm and before the  $\Delta p$  reaches the by-pass set value (i.e. the set value A of the clogging indicator must always be lower than the set value B of the by-pass value).

**WARNING:** in **cold start** conditions a false alarm can be caused by higher oil viscosity due to low temperature; the indicator alarm must be considered at normal working temperature only.

## OPTIONAL VERSION

Subject to MOQ our differential indicators type E... can be supplied in special versions like ATEX or with different connectors.

Contact our Customer Service for further information.

## APPLICATION

The following table shows the type of indicator available according to the filter used.

APPLICATION	FILTER CODE	INDICATOR MODEL						
		E02/EF2 E02L/EF2L	E05/EF5 E05L/EF5L	E08/EF8 E08L/EF8L	EX1/EY1	EX2/EY2 EX2L/EY2L	EX5/EY5 EX5L/EY5L	EX8/EY8 EX8L/EY8L
IN LINE HIGH PRESSURE	<b>F100</b>	X	X	X				
	<b>F280</b>		X	X				
	<b>F420</b>		X	X				
	<b>FD3</b>						X	X
	<b>FDM</b>						X	X
	<b>FH100</b>	X	X	X				
	<b>FH250</b>		X	X				
	<b>FH320</b>		X	X				
	<b>FH420</b>		X	X				
	<b>FML320</b>		X	X				
IN LINE MEDIUM PRESSURE	<b>FLR</b>				X	X	X	X
	<b>FLRD</b>				X	X	X	X
	<b>F040</b>	X	X	X				
RETURN	<b>FCR7F2x</b>	X						
	<b>FCR7F3x</b>	X						
SPIN-ON	<b>FAH-A14x</b>	X						
	<b>FA5</b>					X		
	<b>FA4</b>					X		

