



FLC SERIES
PRESSURE FILTERS

“Last Chance” type filters for protection of the tractor’s hydraulic system from the contaminant coming from the auxiliary devices.

TECHNICAL INFORMATION

HOUSING

HYDRAULIC SYMBOL:



PRESSURE: max operating 350 bar

CONNECTION PORTS: G 1/4" - G 3/8" – G 1/2"

MATERIALS: Housing: Aluminium alloy
Seals: NBR

ELEMENT

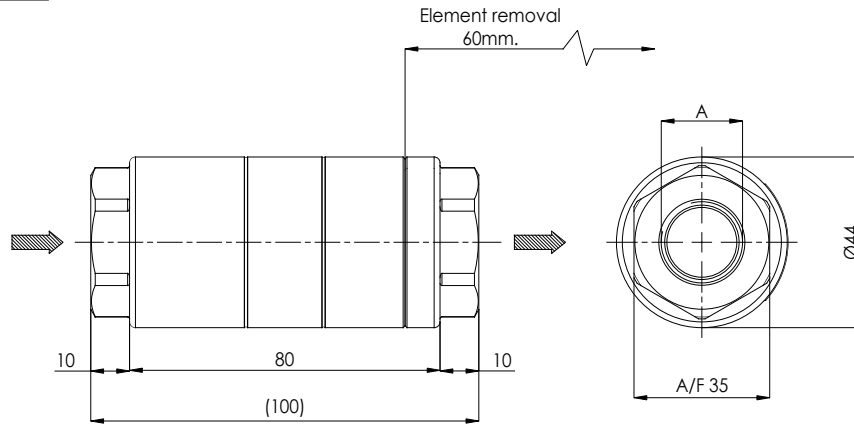
FILTER MEDIA: S25 – S40

DIFFERENTIAL COLLAPSE PRESSURE: 80 bar

OPERATING TEMPERATURE RANGE: -25°C to 100°C

FLUID COMPATIBILITY (acc. to ISO 2943): Full with HH-HL-HM-HV (acc. to ISO 6743/4).
In applications with other fluids please contact Filtrec Customer Service (info@filtrec.it).

OVERALL DIMENSIONS



ORDERING INFORMATION

	1.	2.	3.	4.	5.
	FLC	1	S25	B	B3
SPARE ELEMENT	ELC	1	S25	B	

1. FILTER SERIES	FLC	
2. FILTER SIZE	1	
3. FILTER MEDIA	S25	syntered bronze 25 μ m
	S40	syntered bronze 40 μ m
4. SEALS	B	NBR
5. CONNECTION PORTS	B1	G 1/4"
	B2	G 3/8"
	B3	G 1/2"

FLOW RATE

MODEL	PRESSURE DROP		
	at 10 l/min	at 20 l/min	at 40 l/min
FLC1S25BB3	1,0	2,0	4,0
FLC1S40BB3	0,9	1,8	3,6

