



FL SERIES

Visual oil level indicators

The FL is a vertical level indicators series available with or without a thermometer for level and temperature indication of the fluid.

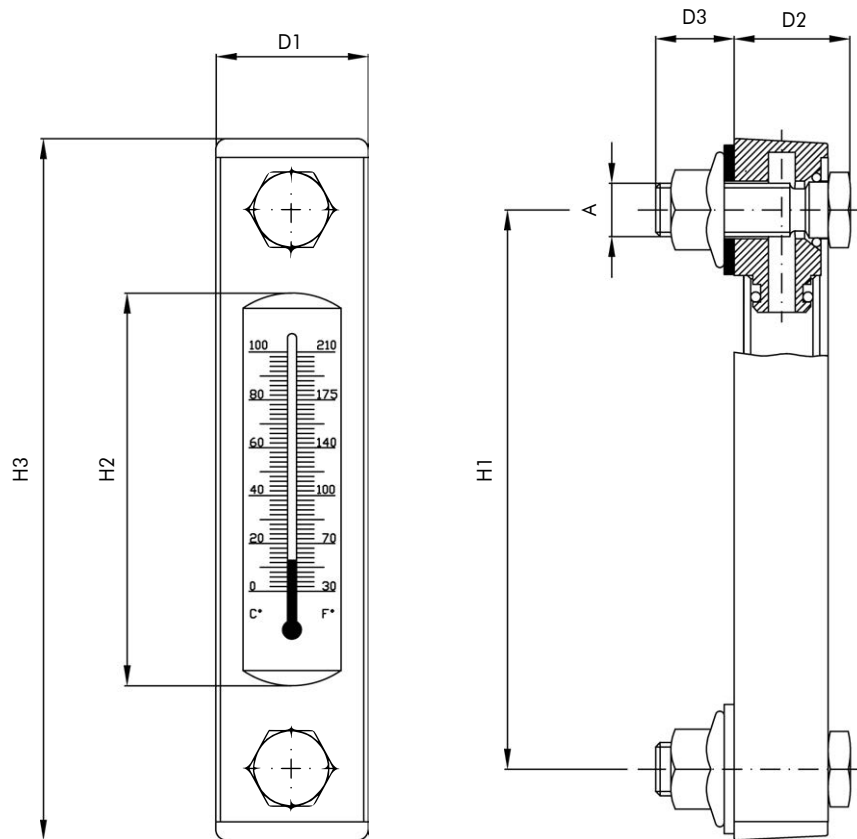
Several sizes and configurations are available to meet every tank requirement.



PRESSURE:	Max operating: up to 1 bar
FIXING SCREWS:	Metric – tightening torque 10 Nm
TEMPERATURE RANGE:	- 30° C+ 80° C
THERMOMETER:	Option: Capillary on size 1-2-3 Analog on size 4-5-6
MATERIALS:	End caps: polyamide Protection: aluminium Screws: zinc plated Seals: NBR 70 ShA Body: transparent polyamide
FLUID COMPATIBILITY:	Full with HH-HL-HM-HV-HETG-HEES (acc. to ISO 6743/4). For use with other fluid please contact Filtrac Customer Service (info@filtrac.it).

OVERALL DIMENSIONS

SIZE 1-2-3

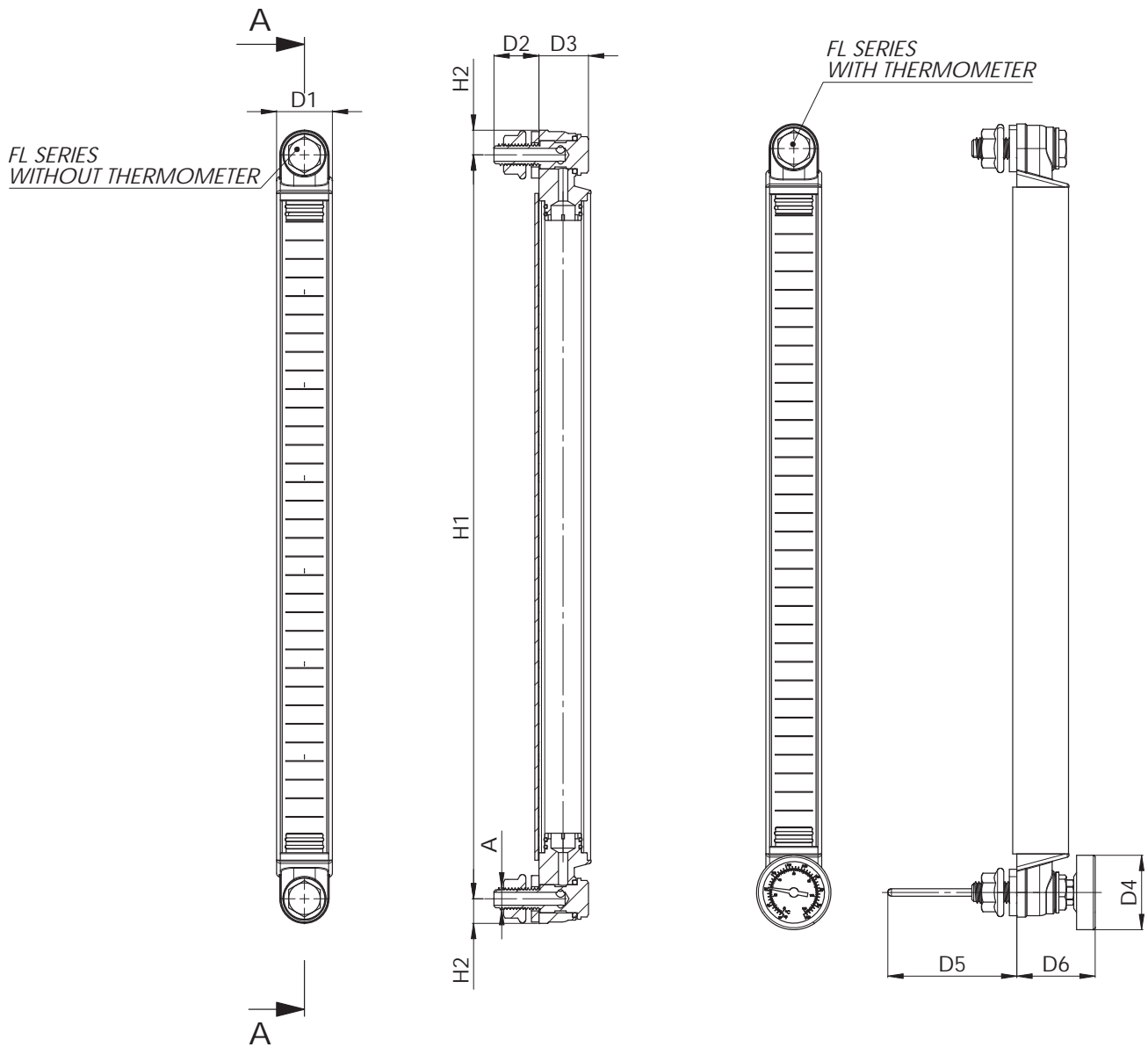


NOMINAL SIZE

CODE	H1	H2	H3	D1	D2	D3	A	WEIGHT
FL1	76	40	106	36	30	16	M10 M12	150 gr.
FL2	127	86	157					200 gr.
FL3	254	213	284					250 gr.

OVERALL DIMENSIONS

SIZE 4-5-6



NOMINAL SIZE

CODE	H1	H2	D1	D2	D3	D4	D5	D6	A	WEIGHT
FL4	300	13,25	30	24,2	26,6	40	68	42,5	M12	330 gr.
FL5	400									400 gr.
FL6	500									470 gr.

ORDERING INFORMATION

1.	2.	3.	4.
FL	2	T	M12

1. SERIES	FL	
2. SIZE	1	holes distance 76 mm
*custom lenght available on request with MOQ	2	holes distance 127 mm
	3	holes distance 254 mm
	4	holes distance 300 mm
	5	holes distance 400 mm
	6	holes distance 500 mm
3. THERMOMETER	0	no thermometer
	T	with thermometer
4. FIXING SCREWS	M10	fixing screws M10
	M12	fixing screws M12

size 4-5-6 available with M12 only

ORDERING INFORMATION	ORDERING CODE
FL10M10	04.006.00240
FL10M12	04.006.00241
FL1TM10	04.006.00242
FL1TM12	04.006.00243
FL20M10	04.006.00244
FL20M12	04.006.00245
FL2TM10	04.006.00246
FL2TM12	04.006.00247
FL30M12	04.006.00248
FL3TM12	04.006.00249
FL30M10	04.006.00255
FL3TM10	04.006.00256
FL40M12	04.006.00208
FL4TM12	04.006.00209
FL50M12	04.006.00210
FL5TM12	04.006.00211
FL60M12	04.006.00212
FL6TM12	04.006.00213

