



CLOGGING INDICATORS

Visual and electrical indicators

INDICATORS FOR APPLICATION ON SUCTION LINE

NORMALLY USED ON FS7 / FA1 series (suction line)

The clogging indicator registers the pressure downstream the filter element:

- in the VISUAL indicator the red area shows the need for element replacement.
- in the ELECTRIC indicator an electrical switch is activated.

CODE	DIMENSIONS	SYMBOL	SETTING
<p>MPS formerly S1</p>			<p>VACUUM GAUGE 0 ÷ -1 bar</p>
<p>PDS formerly S13</p>			<p>VACUUM SWITCH -0,2 bar</p> <ul style="list-style-type: none"> • DC: 30 V - 4 A inductive, 3 A resistive • AC: 250 V - 3 A inductive, 2 A resistive • Protection: IP65, connector DIN43650 • SPDT contacts

OPTIONAL CONNECTOR for S13

<p>LC24</p>			<p>The LC24 connector can replace the standard black connector of the "S13" indicator (N.B. supplied separately). Fedded with 24V, it gives a visual indication of the filter element conditions: normally the GREEN LED is on, the RED LED switch on when the element is clogged.</p>
--------------------	--	--	---

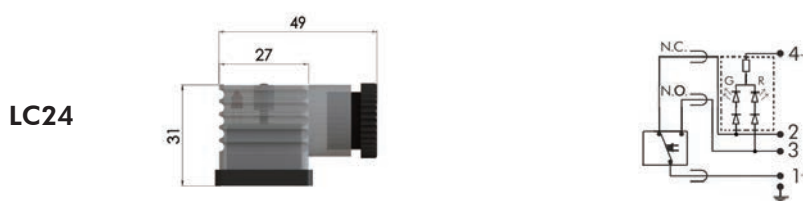
INDICATORS FOR APPLICATION ON RETURN LINE

NORMALLY USED ON FA1 (return line) / FA2 / FR1 / FR6 / FCR7

The clogging indicator registers the pressure upstream the filter element:

- in the VISUAL indicator the red area shows the need for element replacement.
- in the ELECTRIC indicator an electrical switch is activated.

CODE	DIMENSIONS	SYMBOL	SETTING
MPB formerly R9			PRESSURE GAUGE ● 1,7 ÷ 10 bar ● 0 ÷ 1,7 bar
MPC			PRESSURE GAUGE ● 3 ÷ 10 bar ● 0 ÷ 3 bar
MRB formerly R10			PRESSURE GAUGE ● 1,7 ÷ 10 bar ● 0 ÷ 1,7 bar
MRC			PRESSURE GAUGE ● 3 ÷ 10 bar ● 0 ÷ 3 bar
PDB formerly R13			PRESSURE SWITCH PDB (R13) = 1,3 bar PDC (R14) = 2 bar • DC: 30 V - 4 A inductive, 3 A resistive • AC: 250 V - 3 A inductive, 2 A resistive • Protection: IP65, connector DIN43650 • SPDT contacts
PDC formerly R14			Available on request ATEX version Ex I M1 Ex ia I Ex II 1G Ex ia IIC TX Ex II 1D Ex ia IIIC TX°C

OPTIONAL CONNECTOR for PDB_PDC


The LC24 connector can replace the standard black connector of the "PDB / PDC" indicator (N.B. supplied separately).
 Fedded with 24V, it gives a visual indication of the filter element conditions: normally the GREEN LED is on, the RED LED switch on when the element is clogged.

INDICATORS MULTIPURPOSE FOR APPLICATION ON SUCTION AND RETURN LINE

CAN BE USED ON FS7 / FA1(suction line) OR FA1(return line) / FA2 / FR1/ FR6 / FCR7

CODE	DIMENSIONS	SYMBOL	SETTING
<p>MPA formerly R7</p>			<p>PRESSURE / VACUUM GAUGE</p> <ul style="list-style-type: none"> ● -1 ÷ -0,2 bar ● -0,2 ÷ 1,4 bar ● 1,4 ÷ 5 bar
10 Nm			

INDICATORS FOR APPLICATION ON LOW PRESSURE LINE

NORMALLY USED ON FA1 (low pressure line) series

CODE	DIMENSIONS	SYMBOL	SETTING
<p>MPO formerly R12</p>			<p>PRESSURE GAUGE 0 ÷ 16 bar</p>
10 Nm			

DIFFERENTIAL CLOGGING INDICATORS

V02 / E02 NORMALLY USED ON F040 series
 V05 / E05 NORMALLY USED ON F040 / F100 / F160 / F280 / F420 series
 V08 / E08 NORMALLY USED ON F100/ F160 / F280 / F420 series

CODE	DIMENSIONS	SYMBOL	SETTING
V02			DIFFERENTIAL VISUAL 2,7 bar
V05			DIFFERENTIAL VISUAL 5 bar
V08			DIFFERENTIAL VISUAL 8 bar

CODE	DIMENSIONS	SYMBOL	SETTING
E02			DIFFERENTIAL ELECTRIC 2,7 bar
E05			DIFFERENTIAL ELECTRIC 5 bar <ul style="list-style-type: none"> • Electric plug connection as per DIN 43650 • Protection: IP65 acc. to DIN 40050 • Max current: 5A resistive 1A inductive • Max voltage: 250V AC - 30V DC
E08			DIFFERENTIAL ELECTRIC 8 bar

OPTIONAL CONNECTOR for E serie

LC24			<p>The LC24 connector can replace the standard black connector of the "E" indicator (N.B. supplied separately). Fedded with 24V, it gives a visual indication of the filter element conditions: normally the GREEN LED is on, the RED LED switch on when the element is clogged.</p>
------	--	--	---

DIFFERENTIAL CLOGGING INDICATORS

EX5 / VX5 NORMALLY USED ON FD3 / FDM series
 EX8 / VX8 NORMALLY USED ON FDM series

CODE	DIMENSIONS	SYMBOL	SETTING
VX5			DIFFERENTIAL VISUAL 5 bar
VX8			DIFFERENTIAL VISUAL 8 bar

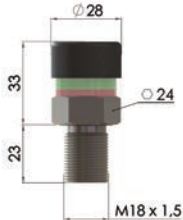
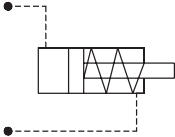

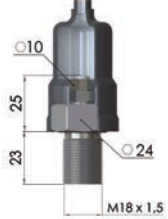
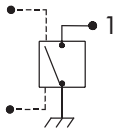

CODE	DIMENSIONS	SYMBOL	SETTING
EX5			DIFFERENTIAL ELECTRIC 5 bar <ul style="list-style-type: none"> • Electric plug connection as per DIN 43650 • Protection: IP65 acc. to DIN 40050 • Max current: 5A resistive 1A inductive
EX8			DIFFERENTIAL ELECTRIC 8 bar <ul style="list-style-type: none"> • Max voltage: 250V AC - 30V DC

OPTIONAL CONNECTOR for E serie

LC24			<p>The LC24 connector can replace the standard black connector of the "E" indicator. (N.B. supplied separately)</p> <p>Powered with 24V, it gives a visual indication of the filter element conditions: normally the GREEN LED is on, the RED LED switches on when the element is clogged.</p>
------	--	--	--

DIFFERENTIAL CLOGGING INDICATORS

Z34 / Z35 NORMALLY USED ON FA4 series

CODE	DIMENSIONS	SYMBOL	SETTING
Z34			DIFFERENTIAL VISUAL 2,7 bar
			
Z35			DIFFERENTIAL ELECTRIC 2,7 bar <ul style="list-style-type: none"> • Max current: 0,5A resistive 0,2A inductive • Max voltage: 36 VDC • Protection: IP54 as per DIN 40050 Ground through filter head to chassis
			

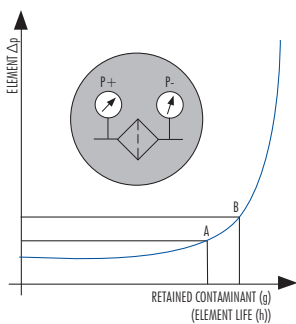
USER INFORMATION

The **Pressure indicator** measures the pressure in one point only:

-for suction application it must be located downstream the filter element (P-)

-for return application it must be located upstream the filter element (P+)

The **Differential indicator** measures the D_p between upstream and downstream of the filter element, i.e. it is the ideal indicator for in line application.



The **Pressure Drop** (D_p = differential pressure) through the filter increases during the system operation due to the contaminant retained by the filter element.

The filter element must be replaced when the indicator shows an alarm and before the D_p reaches the by-pass set value (i.e. the set value A of the clogging indicator must always be lower than the set value B of the by-pass valve).

WARNING: in **cold start** conditions a false alarm can be caused by higher oil viscosity due to low temperature; the indicator alarm must be considered at normal working temperature only.

OPTIONAL VERSIONS

Subject to MOQ our differential indicators can be supplied in special versions like ATEX, different connectors, two alarm levels, etc.: pls contact our Customer Service for further information.

