



THREADED PLUGS
for additional ports on
return line filters



FLANGED PLUGS
for additional ports on
return line filters



PLUGS
for indicator seats

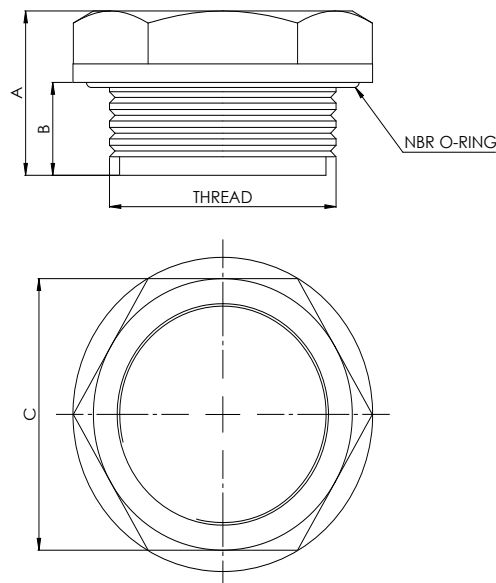
THREADED PLUGS

for additional ports on return line filters



MATERIALS:	Reinforced PA6 Gasket : NBR
WORKING PRESSURE:	20 bar
TEMPERATURE RANGE:	30° C to +100° C
FLUID COMPATIBILITY:	Full with HH-HL-HM-HV HETG-HEES (acc. to ISO 6743/4). For use with other fluid please contact Filtrac Customer Service (info@filtrac.it).

OVERALL DIMENSIONS



NOMINAL SIZE

MODEL	CODE	A (mm)	B (mm)	C	THREAD	FILTER SERIES
P03B3	07.036.00094	20	11	A/F 27	G 1/2"	FR6 - FCR7F1x
P03B4	07.036.00095	22	12	A/F 32	G 3/4"	FR6 - FCR7F1x FRM
P03B5	07.036.00074	23	13	A/F 38	G 1"	FR6 - FCR7F1x FCR7F2x - FRM FS7
P03B6	07.036.00096	26	14	A/F 46	G 1 1/4"	FR6 - FCR7F1x FRM
P03B7	07.036.00097	28	15	A/F 55	G 1 1/2"	FCR7F2x - FS7

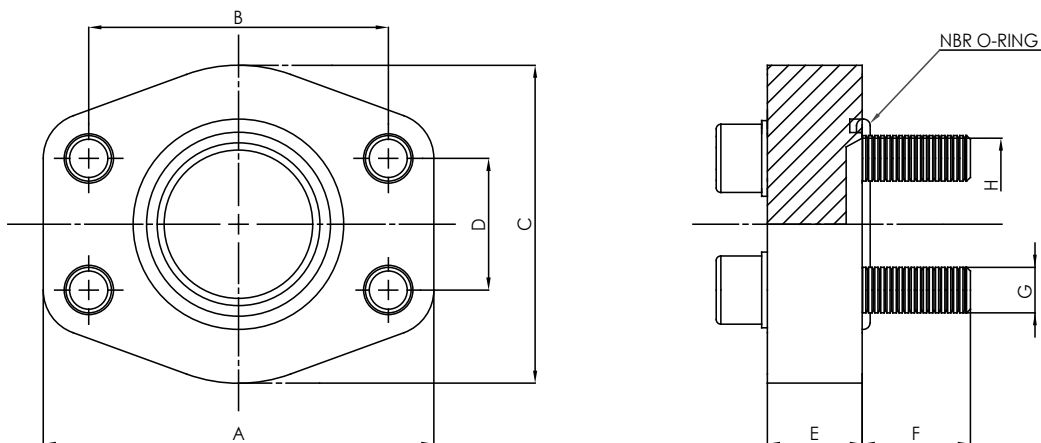
FLANGED PLUGS

for additional ports on return line filters



MATERIALS:	Zinc coated Carbon steel Gasket : NBR
TEMPERATURE RANGE:	30° C to +100° C
FLUID COMPATIBILITY:	Full with HH-HL-HM-HV HETG-HEES (acc. to ISO 6743/4). For use with other fluid please contact Filtrac Customer Service (info@filtrac.it).

OVERALL DIMENSIONS



NOMINAL SIZE

MODEL	CODE	SIZE	A (mm)	B (mm)	C (mm)	D (mm)	E (mm)	F (mm)	G (mm)	H (mm)
P04F8M	07.036.00099	2" SAE3000-M	103	77,8	89	42,9	25	19	M12	43
P04F9M	07.036.00100	2 1/2" SAE3000-M	116	88,9	101	50,8				61

PLUGS FOR FLANGED ADDITIONAL PORTS ON RETURN LINE FILTERS SERIES:

MODEL	CODE	SIZE	FILTER SERIES
P04F8M	07.036.00099	2" SAE3000-M	FCR7F3x
P04F9M	07.036.00100	2 1/2" SAE3000-M	FCR7F3x

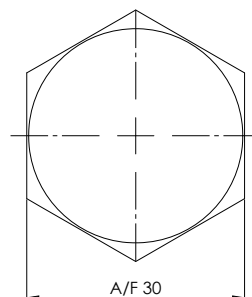
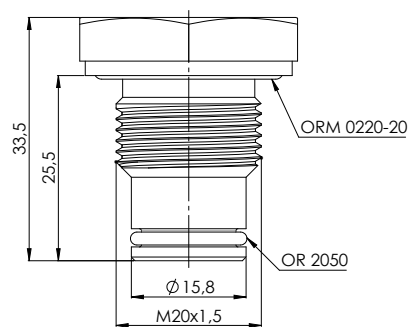
PLUGS

for indicator seats



MATERIALS:	Carbon steel Gaskets : NBR or FKM
TEMPERATURE RANGE:	-30° C to +100° C for NBR -25° C to +120° C for FKM
FLUID COMPATIBILITY:	Full with HH-HL-HM-HV HETG-HEES (acc. to ISO 6743/4). For use with other fluid please contact Filtrec Customer Service (info@filtrec.it).

OVERALL DIMENSIONS



NOMINAL SIZE

MODEL	CODE	OR 0220-20 MATERIAL	OR 2050 MATERIAL	FILTER SERIES
P01	07.036.00048	NBR 70 Sh.A	NBR 90 Sh.A	FCR7F2x - FCR7F3x
PF1	07.036.00061K	FKM 70 Sh.A	FKM 90 Sh.A	

